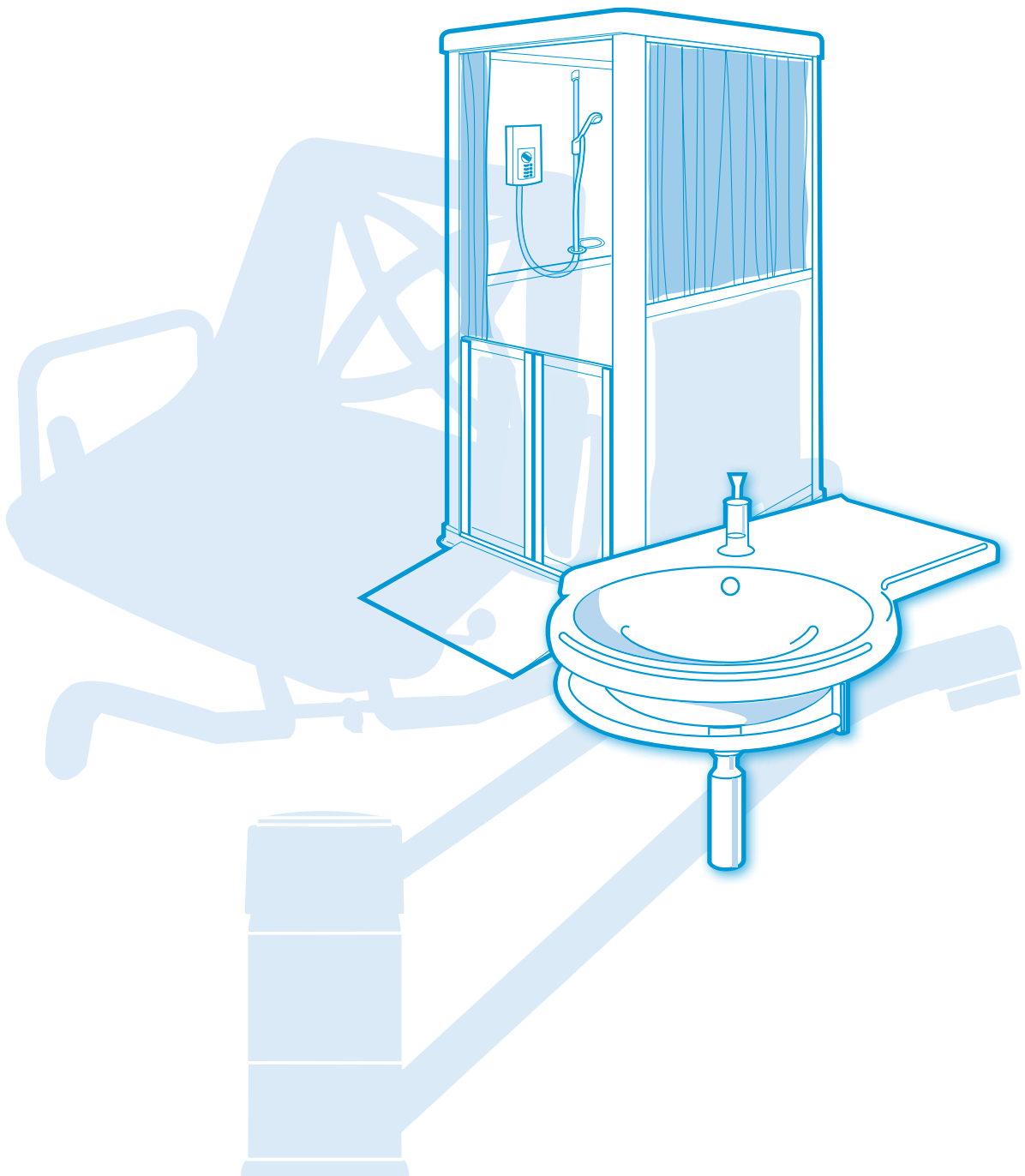


Aurora SaniCare

*Suppliers of Rehabilitation &
Home Healthcare Equipment*



The Careport Shower/Toilet

The Careport is a totally freestanding unit which is quick and easy to install on any floor surface, including carpet. While at the same time can connect to existing plumbing and removed without a trace, combining ease of access with simple installation.

The Careport is constructed from fibreglass which is virtually unbreakable as well as being very easy to clean and is compatible with every type of mobile shower commode chair.

Careport shower/toilets can be assembled and dismantled to suit individual requirements providing a flexible solution for independent or assisted showering or toileting in the home or hospital

Solve shower or toilet needs immediately with short or long term rental.

Please contact us for a no obligation site assessment or demonstration.

- Ideal for rented homes when a bathroom alteration is not an option.
- Ideal for palliative care where funding is a problem.
- Ideal for infectious disease isolation.
- Ideal when a bathroom alteration may overcapitalise a situation.



Portable & Freestanding Patient Shower/toilet Cubicle

Careport shower/toilets can be assembled and dismantled to suit individual requirements providing a flexible solution for independent or assisted showering or toileting in the home or hospital

CAREPORT OPTIONS



1. Careport with shower can be used with or without toilet option.



2. Careport with shower only – virtually any type of shower stool or chair can be used.



3. Fold down shower seat.

Shower/Toilet Solutions for Home & Hospital

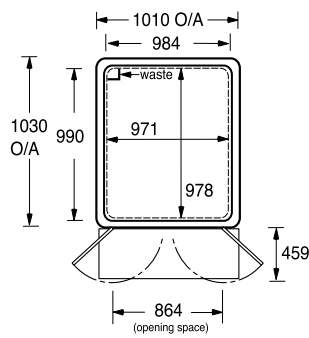


The Careport can be quickly installed in any room of a home or hospital providing an immediate solution for shower and toileting.

The Careport dismantles completely for easy delivery and has many different options to suit the needs of the client and carer. The Hot water supply is completely self contained with safety tampering valve & Plugs in to any three pin socket. The Shower Rose is completely height adjustable or may be hand held.



Hygenic Shower/Toilet System

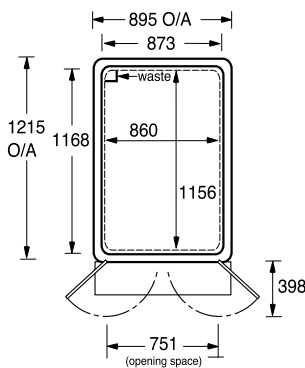


DIMENSIONS

FRONT ENTRY SHOWER CUBICLE - MODEL 101

Ramp size: 1000mm Width x 430mm Depth.

1. Add 50mm at rear of cubicle to allow for waste hose (If pumped version).
2. Add 100mm to width to allow for shower unit services.
3. Allow as much space as possible to gain access to services for routine maintenance.



FRONT ENTRY SHOWER CUBICLE - MODEL 120

Ramp size: 890mm Width x 220mm Depth.

Contact our specialist to arrange immediate rental – 1800 283 463

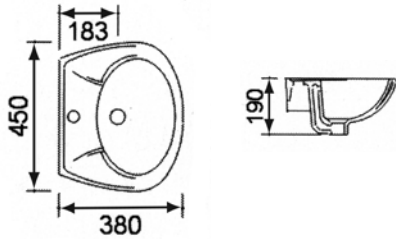
HYGENIC SHOWER/TOILET SYSTEM

- PORTABLE
- FREE-STANDING
- SELF-CONTAINED
- INSTALLED IN MINUTES
- OPTIONAL TOILET
- CONFORMS TO PLUMBING & SANITARY REQUIREMENTS
- EASY ACCESS FOR CARER
- HOT WATER SAFETY THERMOSTATIC MIXING VALVE
- TOTAL SHOWER/TOILET SOLUTION
- DISMANTLES FOR EASY DELIVERY

Ceramic Wall Hung Basins

MONDEGO

WASH BASIN
Ref No. 108340



Available 1 or 3 tap holes



AVEIRO

WASH BASIN, PEDESTAL OR SHROUD

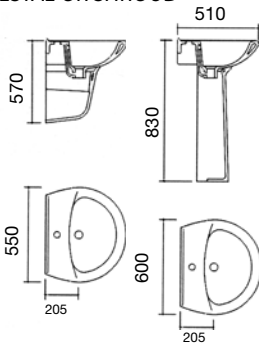
Shroud
suitable only
with 600 Basin
Ref No.s

550. 103300

600. 103310

Pedestal. 103200

Shroud. 103220



Available 1 or 3 tap holes



CETUS 550mm

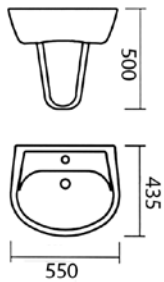
WASH BASIN

Ref No. 110300

SHROUD

Ref No. 110220

All basins 1 or 3 tap holes

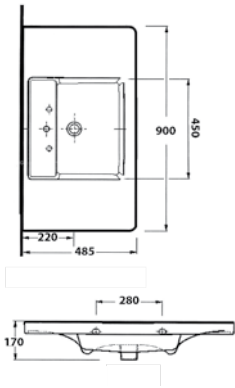


Ceramic Wall Hung Basins

ALINDA 900mm

WASH BASIN, WALL HUNG OR VANITY TOP OPTION.

Ref No. 349011

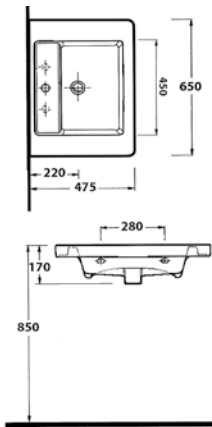


Available in 1 or 3 Taphole

ALINDA 650mm

WASH BASIN, WALL HUNG OR VANITY TOP OPTION.

Ref No. 346511

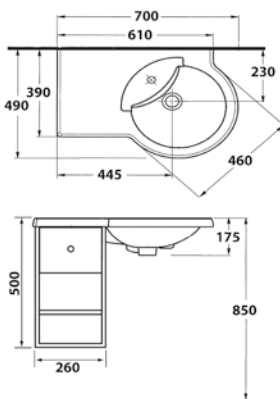


Available in 1 or 3 Taphole

ALINDA CORNER WASH BASIN WITH SHELF

Ref. No. ALC 314511 Right hand bowl.

- Available right & left hand bowl.
- Available with or without wall cabinet.
- Available with 1 or 3 tapholes.



Custom made vanities of any size and style to suit your exact requirements.



Ceramic Wall Hung Basins

TINY

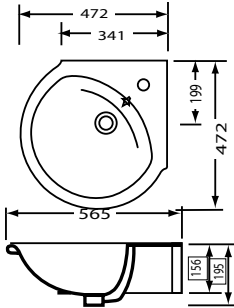
WASH BASIN

Left Ref. No. 108710

Right Ref. No. 108700

Available in left or right hand

Towel rail optional



ASTRO

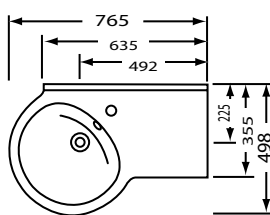
LEFT WASH BASIN

Left Ref. No.108860

Right Ref. No.108850

Available in left or right hand

Towel rail optional



MILANO MIRROR CABINET

Ref. No. MIM80

Size: W- 500mm

x H- 700mm x D- 140mm

MILANO 80 CABINET

Ref. No. MIL80

Size: W- 765mm x

D- 500/355mm x H- 535mm.

Available in Left or Right options. Towel rail optional

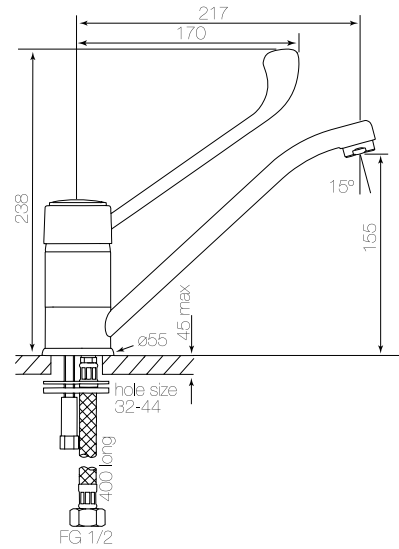
All basins one tap hole only

Extended Lever Tapware

SWIRL SINK MIXER 31921.11



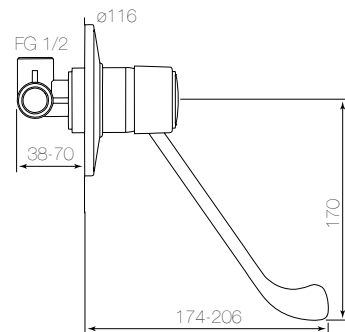
- AS 3718 APPROVED
- 5 YEAR GUARANTEE
- WELS APPROVED



SWIRL SHOWER MIXER 31941.11



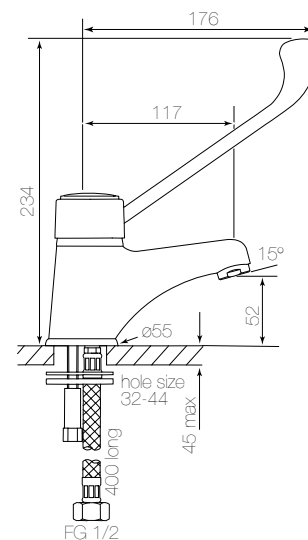
- AS 3718 APPROVED
- 5 YEAR GUARANTEE
- WELS APPROVED



SWIRL BASIN MIXER 31951.11



- AS 3718 APPROVED
- 5 YEAR GUARANTEE
- WELS APPROVED



1/4 Turn Ceramic Disk Lever Action Tapware

BASIN TAP SET



SCBS

CERAMIC DISC 1/4 TURN TAPWARE

- Chrome on brass.
- 4 Star water rating.
- 5 year warranty.
- WELS & Watermark approved.

WALL TOP ASSEMBLIES



SCWTA

CERAMIC DISC 1/4 TURN TAPWARE

- Chrome on brass.
- 5 year warranty.
- WELS & Watermark approved.

SHOWER TAP SET



SCSS

CERAMIC DISC 1/4 TURN TAPWARE

- Chrome on brass.
- 3 Star water rating.
- 5 year warranty.
- WELS & Watermark approved.

BATH TAP SET



SCBATH

CERAMIC DISC 1/4 TURN TAPWARE

- Chrome on brass.
- 5 year warranty.
- WELS & Watermark approved.

WASHING MACHINE TAP SET



SCWM

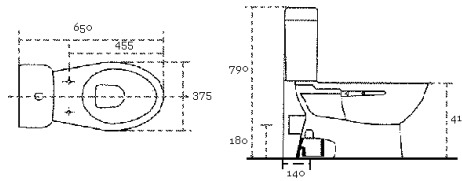
CERAMIC DISC 1/4 TURN TAPWARE

- Chrome on brass.
- 5 year warranty.
- WELS & Watermark approved.

Toilets



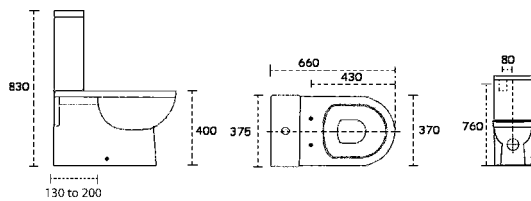
EDMONTON - close coupled toilet suite
ED140SC Soft close seat. ED140ST Standard seat.



- Close coupled toilet suite.
- Left or right water inlet.
- WELS & Water Mark approved.
- Available in 4.5/3L & 6/3L Flush water saving
- S&P trap options.
- Waste set out 140mm
- High quality heavy duty toilet seat with stainless steel hinges.
- **Available with soft close seat.**



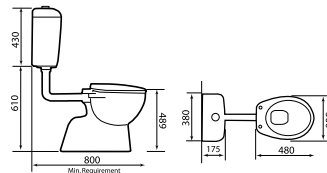
CALGARY - wall faced toilet suite
CA210SC Soft close seat. CA210ST Standard seat.



- Close coupled toilet suite.
- Available in top or bottom water supply inlet.
- WELS & Water Mark approved.
- Available in 4.5/3L & 6/3L flush water saving flush.
- S&P trap options.
- Waste set out 130mm to 200mm.
- High quality heavy duty toilet seat with stainless steel hinges.
- **Available with soft close seat.**



CALLISTO CARE TOILET SUITE



Drainage waste Set-out
300 Minimum.
Water Supply inlet R.H.
Side base of cistern.

- Complete with shrouded pan.
- Ceramic cistern.
- Extended flush pipe.
- Heavy duty seat.
- Dual flush care push buttons.

Note: Other toilets available on request.



Aurora Adjustable Chrome 40mm Bottle Trap

Ref. No. AU4040 Provided with 32x40mm Bush & Rubber key seal connector.



Designer Slimline Chrome 40mm Adjustable Bottle Trap

Ref. No. 900099C Provided with 32x40mm Bush & Rubber key seal connector.



40mm/50mm Chrome plated P Trap. Ref. No. 0400P Ref. No. 0500P

Note: All the above items are chrome on brass.

Note: Specification drawings are all available on request.



**Deluxe Adjustable
Chrome 40mm
Bottle S Trap**

Ref. No. 4040BTS
Watermark Approval
Spec.005

**40mm/50mm
Chrome Plated
S Trap.**

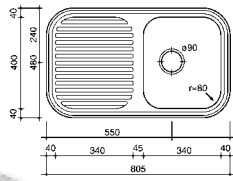
Ref. No. 0400S

Ref. No. 0500S

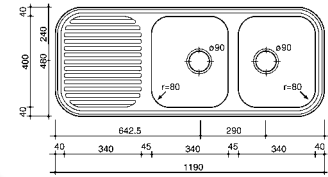


Stainless Steel Sinks

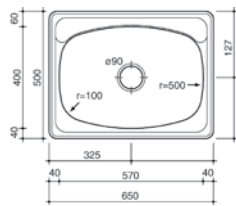
REGENT 10 Cabinet 40 - D=170



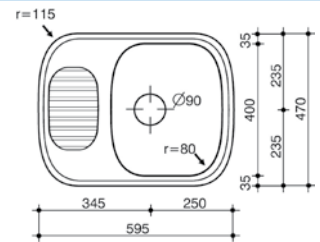
REGENT 30 Cabinet 80 - D=170/170



TORONTO Cabinet 80 - D=200



REGIDRAIN Cabinet 40 - D=160



Drop Down Shower Seats

AS1004 - DROP DOWN SHOWER SEAT

- Provides a stable seat whilst showering
- Folds up neatly when not in use
- Does not impinge on showering area.
- Drainage slats
- Sturdy stainless steel and alloy construction
- Please note: Must be installed by a qualified builder

Seat Width	Seat Depth	Seat Material	Frame Material
355mm	315mm	Alloy	Stainless Steel



AS1005 - DROP DOWN SHOWER SEAT

- Provides a stable seat whilst showering
- Folds away neatly when not in use
- Does not impinge on showering area.
- Sturdy stainless steel and high strength acrylic construction
- To suit the wider user
- Please note: Must be installed by a qualified builder

Seat Width	Seat Depth	Seat Material	Frame Material
600 mm	350 mm	Acrylic	Stainless Steel



AS1006 - DROP DOWN SHOWER SEAT

- Provides a stable seat whilst showering
- Folds away neatly when not in use
- Does not impinge on showering area.
- Epoxy coated mild steel frame
- Pre-zinc coated to prevent rusting
- Please note: Must be installed by a qualified builder

Seat Width	Seat Depth	Seat Material	Frame Material
355mm	315mm	Alloy	Stainless Steel



AS1009 - DROP DOWN SHOWER SEAT LARGE

- Provides a stable seat whilst showering
- Sturdy stainless steel and alloy construction
- Complies with Australian standard AS1428
- Drainage slats
- Comes standard with fold away from support legs
- Folds away neatly when not in use
- To suit the wider user
- Does not impinge on showering area.
- Please note: Must be installed by a qualified builder

SEAT WIDTH	SEAT DEPTH	SEAT MATERIAL	FRAME MATERIAL
900 MM	400 MM	ALLOY	STAINLESS STEEL



AS659001 - FOLDABLE SHOWER SEAT

- Designed with quality & Safety in view
- 10 year warranty on breakage
- The smooth & non-porous surfaces feel pleasant & easy to clean.
- The seat can take loads up to 175kg (tested by the Bavarian Technical Authority).
- Please note: Must be installed by a qualified builder

SEAT WIDTH	SEAT DEPTH	SEAT MATERIAL
355MM	275MM	SOLID HEAVY DUTY PLASTIC



Bath & shower seats accessories

AS1070 - HAND SHOWER

- Provides a flexible shower head to assist in showering
- Fixes to existing shower outlet
- 2 metre reinforced hose
- Supplied complete with wall bracket
- Lightweight plastic handpiece
- Convenient on/off switch



AS1071 - NO DRILL HAND SHOWER

- Provides a flexible shower head to assist in showering
- Fixes to existing shower outlet
- 2 metre reinforced hose
- Supplied complete with swivel elbow bracket
- Lightweight plastic handpiece



SINGLE TAP HAND SHOWER

AS1072 - 1.2 metre

- Provides a flexible shower head to assist in showering
- Fixes to existing tap spout
- Reinforced hose

AS1072S - 2.0 metre

- Lightweight plastic handpiece
- Supplied with two rubber reducing collars to suit most taps spouts
- Easily fitted and removed



DUAL TAP HAND SHOWER

AS1073 - 1.2 metre

- Provides a flexible shower head to assist in showering
- Fixes to existing tap spout
- Reinforced hose
- Lightweight plastic handpiece

AS1073S - 2.0 metre

- Supplied with two rubber reducing collars to suit most taps spouts
- Easily fitted and removed



AS1074 HAND SHOWER & HOLDER

- Provides a flexible shower head to assist in showering
- Clamps onto existing grab rail to provide a holder for the shower head
- Fixes to existing shower outlet
- Shower holder swivels 360°
- Reinforced hose
- Lightweight plastic handpiece
- Convenient on/off switch
- Chrome plated brass construction
- Easily fitted and removed
- To suit 32mm diameter rails



Rails, Toilet Seats, Bath Seats, boards

AS2002 DEVON DROP DOWN RAIL

This sturdy down drop rail projects at right angles to the wall and is 76cm in length. The rail is mounted onto the wall by a base plate and six bolts (not supplied) to distribute the load. This should be installed by a qualified person. The white coated rail is held in the upright position by a spring loaded cam and is easily folded down. OPTIONS AVAILABLE: AS2028 TOILET ROLL HOLDER
As shown, inset photo



AS1090L STAINLESS STEEL DROP DOWN RAIL

This stainless steel drop down rail is 83cm in length, comes standard with a lock-up mechanism. It is rust resistant and easy to clean.



PRIMA RAISED TOILET SEATS

1. AS1099 - 50MM 2. AS1100 - 100MM

- Increases toilet seat height
- Ideal for people with hip or knee injuries or those who require greater seat height
- Easily positioned and removed using front location lip and two rear adjustable clamps
- Stain and odour resistant
- Front cutout for easier personal cleaning
- Stain and odour resistant
- Manufactured in England
- Moulded plastic construction
- Maximum user weight 190kg
- Optional lid available (AS105L)



AS1010 TOILET SURROUND

This adjustable height frame fits around the toilet and provides assistance in getting on and off the toilet. Width between arms 45cm. Height 66-78cm



AS5860 MYCO SWIVEL BATH SEATS

Easy, safe and comfortable bathing is achieved when using this bath seat, resting securely on any standard bath. The seat locks in both the transfer and bathing position, and provides back support and has integral armrests. High quality and instantly removable for normal bath use.

MODELS AVAILABLE:

- AS5800 MYCO SWIVEL BATH SEAT STANDARD
- AS5850 MYCO SWIVEL BATH SEAT STAINLESS STEEL
- AS5860 MYCO SEAT HEIGHT EXTENSION 90MM (inset photo)
- AS5865 MYCO SEAT HEIGHT EXTENSION 140MM



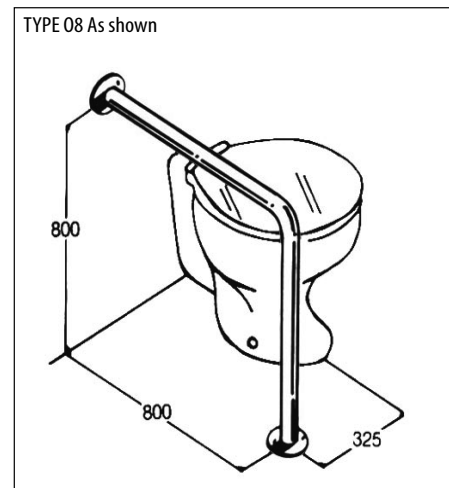
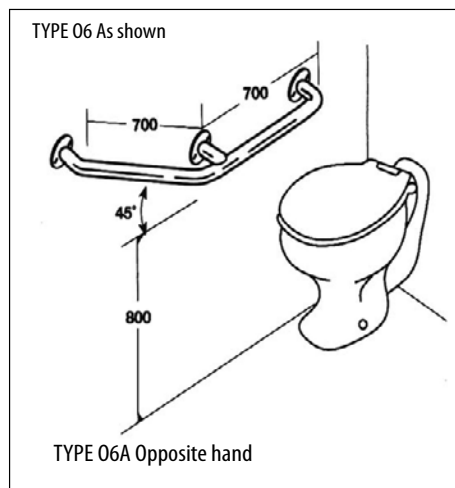
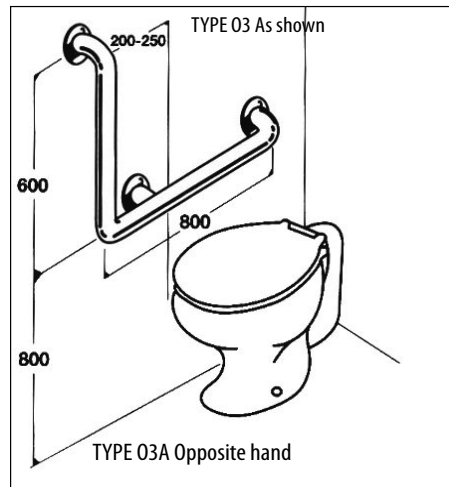
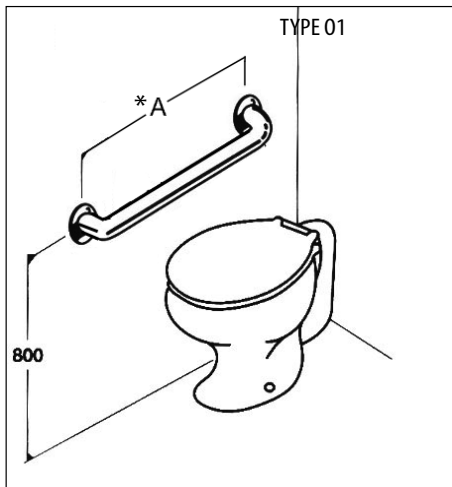
AS1250 PLASTIC BATH BOARD

Designed to assist entering the bath, this plastic adjustable bath board fits most baths and provides a comfortable contoured seating area. Features a soap dish and grab rail to assist the user in positioning themselves. fits most bath tubs.



Grasp Rails

A* = Standard lengths available. 300, 450, 600, 750, 900, 1200mm Rails may be mounted vertically or horizontally etc.
Over 1200mm length require centre support



Whilst due care has been taken in the preparation of this document, Aurora shall not be liable for any inaccuracies or omissions which may occur herein. Aurora reserves the right to change product specifications without notice. All pictures are for illustrative purposes only.

16 McPherson Rd
Smeaton Grange NSW 2567 Australia

Tel. (02) 4648 3200

Free Call 1800 283 463

Fax: (02) 4647 5564

Email: sales@aurorasales.com.au

